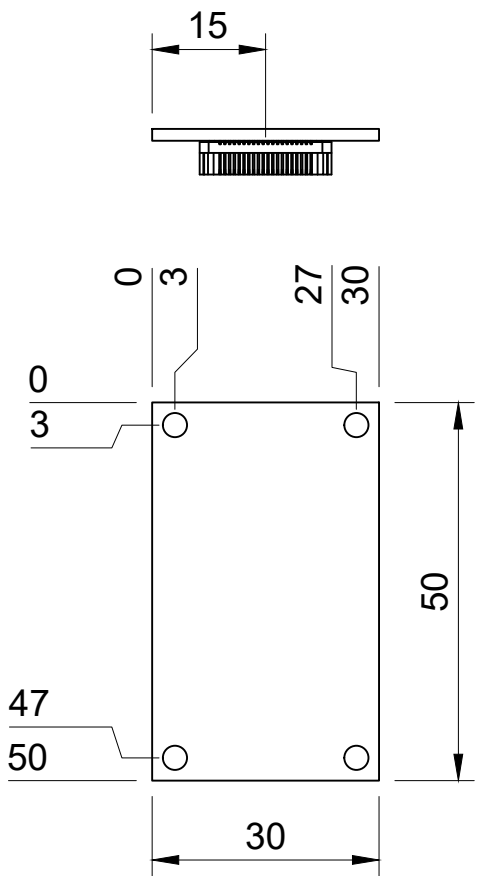
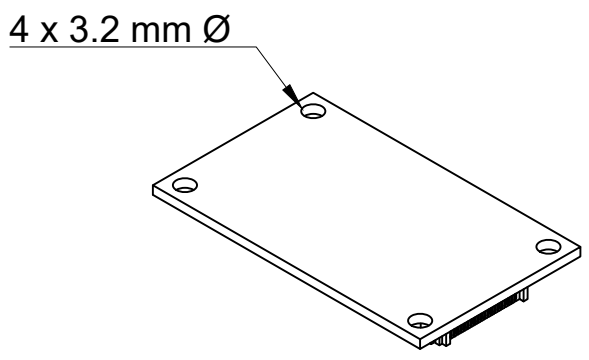
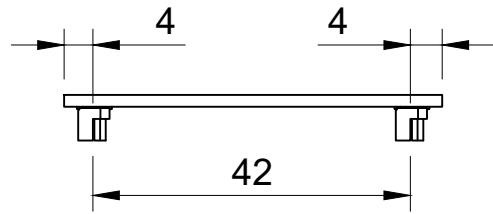


1 2 3 4 5 6 7 8

A  
B  
C  
D  
E  
F

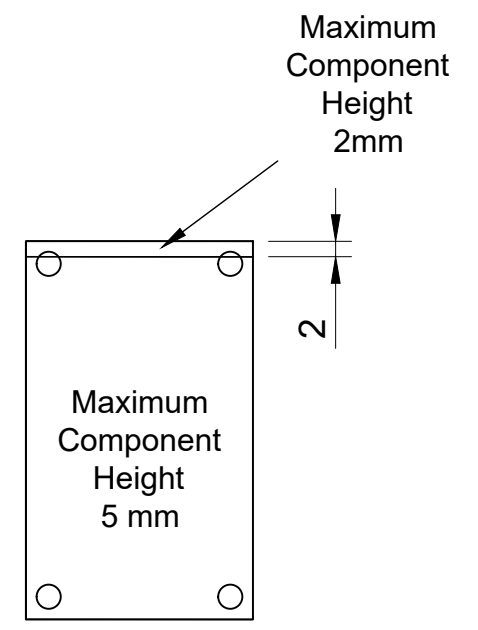


Top View



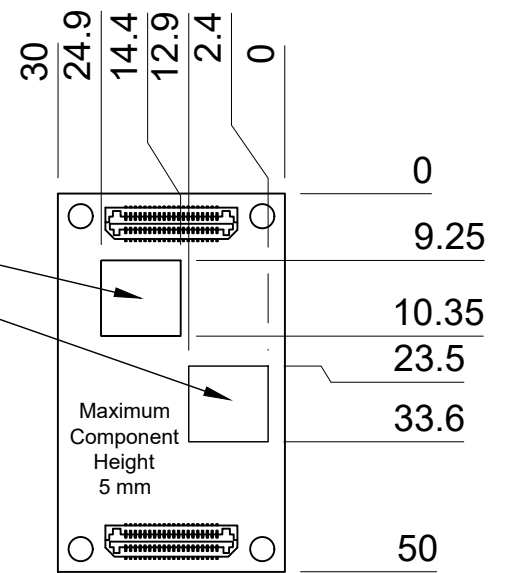
Mezzanine connectors are Samtec part number LSS-120-03-F-DV-A-K.

Top View

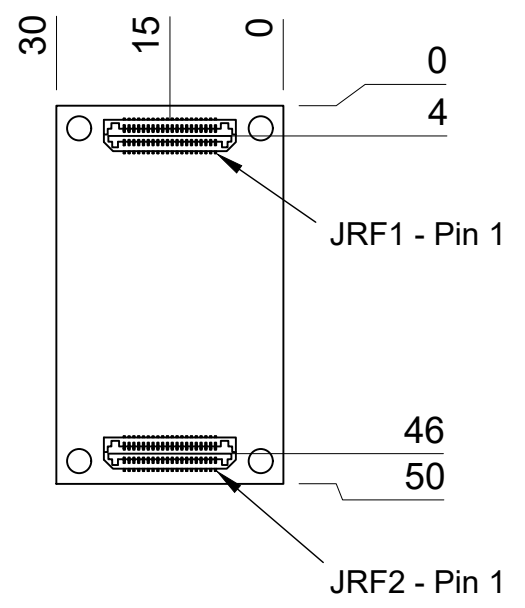


Maximum Component Height 2 mm


Bottom View



Bottom View



All dimensions are in millimeters.

|   |                     |   |                 |
|---|---------------------|---|-----------------|
| Dept.   | Technical reference | Created by<br><b>Benjamin Huey 6/17/2022</b>                | Approved by     |
| <br>Copyright 2022 Red Wire Technologies |                     | Document type   | Document status |
|   |                     | Title<br><b>RF Personality Module Standard PCB Template</b> | DWG No.         |
| Rev.  | Date of issue       | Sheet<br><b>1/1</b>   |                 |

1 2 3 4 5 6 7 8