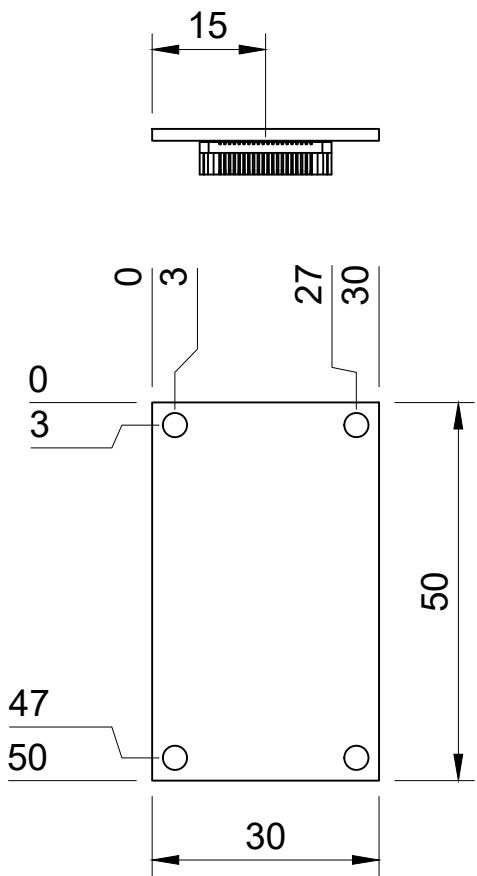
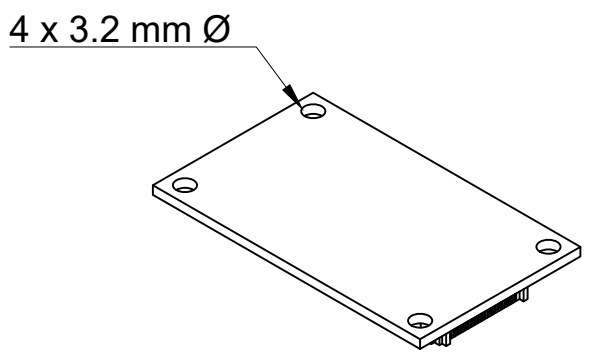
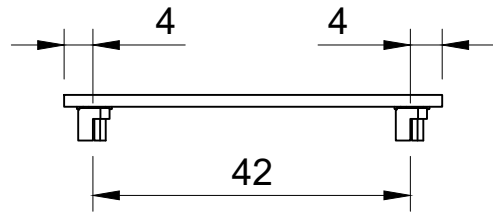


1 2 3 4 5 6 7 8

A
B
C
D
E
F

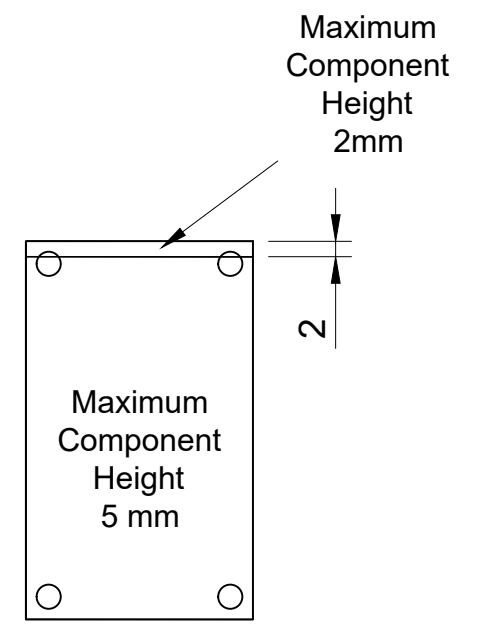


Top View

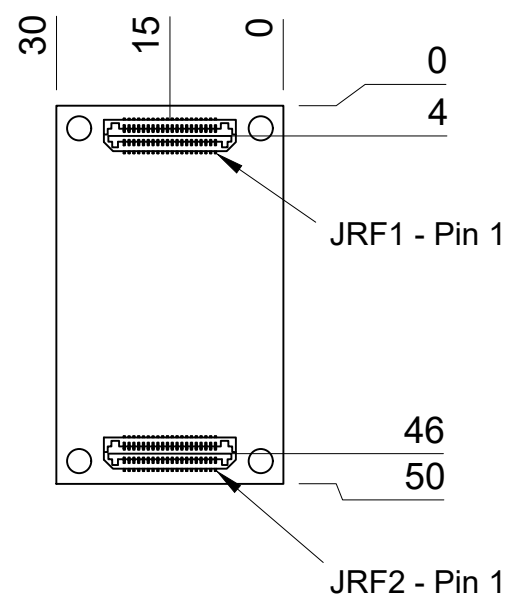
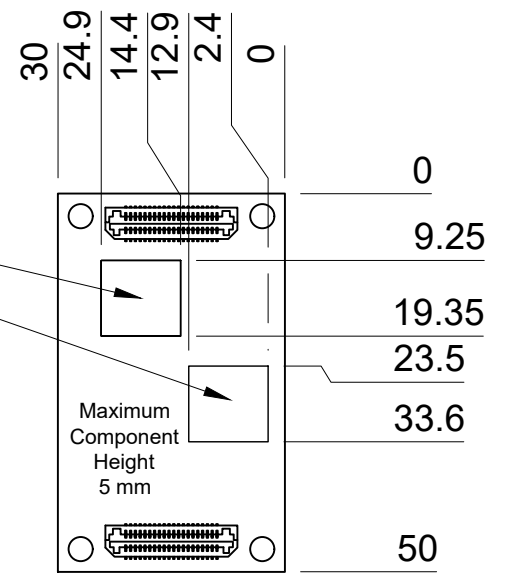


Mezzanine connectors are Samtec part number LSS-120-03-F-DV-A-K.

Top View




Bottom View



Bottom View

All dimensions are in millimeters.

Dept.	Technical reference	Created by Benjamin Huey 6/17/2022	Approved by
		Document type	Document status
		Title RF Personality Module Standard PCB Template	DWG No.
Copyright 2022 Red Wire Technologies		Rev.	Date of issue
		Sheet 1/1	

1 2 3 4 5 6 7 8